

# NEW DAILY

## ACCESSORIES CATALOGUE



# IVECO

Your partner for sustainable transport



You can also find the complete accessories line offering in the Accessories Catalogue and in the on-line catalogue using the following link:  
<http://application.cnh-parts-service.eu/iveco.php>



Discover the full accessories offering with the free app "IVECO Accessories".



Download it for free from the App Store to get exclusive access to extra images, information and video content.



## NEW DAILY

True to its **natural instinct for anticipating your business needs**, the New Daily has added to its record strength, versatility and performance, a host of new features that make it your new and skilled business assistant.

**Focusing on Technology and Connectivity** the New Daily provides a superior driving experience. Life on board is now easier, more comfortable and productive than ever. **Efficiency** is a key word, two engines optimized for top performance deliver a step forward towards zero-carbon transport. **New levels of comfort** and a wide model line-up guarantee an absolute driving pleasure in all operational and business activities.

**Thanks to IVECO Accessories**, you can make **your working and driving experience** even more **exciting and unique**, through a full line of products specifically designed for your vehicle. According to your personality and business, you can choose to enhance your vehicle's versatility with a wide range of options, or its profitability with fuel-saving new **aerodynamic** solutions. Active and passive additional safety systems help you to better protect your Daily, while hi-tech accessories really bring the future on board. The **new Multimedia System**, a **new generation of GPS** locator, and the **Wi-Fi rear camera will boost the level of connectivity of your vehicle**. Last but not least, you can **personalise the comfort of your New Daily** with a comprehensive choice of accessories to create a more comfortable living space.

**Follow your instinct. Enjoy your business.**



## CONTENTS

<b>VERSATILITY</b>	<b>4</b>
<b>PROFITABILITY</b>	<b>8</b>
<b>SAFETY</b>	<b>10</b>
<b>HI-TECH</b>	<b>14</b>
<b>CONNECTIVITY</b>	<b>18</b>
<b>COMFORT</b>	<b>20</b>

# VERSATILITY



## LUGGAGE RACK

There are a **wide range of luggage rack options** covering each configuration type and wheel base. It is made from a **lightweight aluminium structure** that is **totally corrosion-proof**, easy to repair in case of damage and maintenance-free. It can be **easily installed** on the existing fixing points and without having to perforate the bodywork. Roof-top anchoring distributes the load in an even and safe manner. **Two versions are available; standard and long**, to satisfy all needs.

PN	DESCRIPTION
500050810	Standard Luggage Rack (2600x1700 mm) 3000 Wheelbase
500050811	Long Luggage Rack (3000x1700 mm) 3000 Wheelbase
500050812	Standard Luggage Rack (2600x1700 mm) 3520 Wheelbase, H1
500050813	Long Luggage Rack (3200x1700 mm) 3520 Wheelbase, H1
500050814	Standard Luggage Rack (2800x1500 mm) 3520 Wheelbase, H2
500050815	Long Luggage Rack (3200x1500 mm) 3520 Wheelbase, H2
500050816	Standard Luggage Rack (2800x1500 mm) 3520L Wheelbase, H2
500050817	Long Luggage Rack (3500x1500 mm) 3520L Wheelbase, H2
500050818	Standard Luggage Rack (2800x1500 mm) 4100 Wheelbase, H2
500050819	Long Luggage Rack (4500x1500 mm) 4100 Wheelbase, H2
500050820	Standard Luggage Rack (3200x1500 mm) 4100L Wheelbase, H2
500050821	Long Luggage Rack (4500x1500 mm) 4100L Wheelbase, H2



**TUBE HOLDER**

PN	DESCRIPTION
500050822	Tube/Conduit Holder 3 Metres
500050823	Tube/Conduit Holder 4 Metres

**LADDER**

PN	DESCRIPTION
500050824	Ladder Height H1
500050825	Ladder Height H2



**FLOOR PLATFORM**

PN	DESCRIPTION
500050826	Floor Platform 2600
500050827	Floor Platform 2800
500050828	Floor Platform 3000
500050829	Floor Platform 3200
500050830	Floor Platform 3500

**BEACON HOLDER**

PN	DESCRIPTION
500050831	Beacon Holder



# VERSATILITY

## ROOF RACKS

Aluminium racks that are reliable and easy to install.



PN	DESCRIPTION
500050832	Roof Rack Set 1700 H1
500050833	Roof Rack Set 1500 H2
500050834	Additional Bar H1 1700
500050835	Additional Bar H2 1500

**LOAD SPACE TRIM**

The load space trim has been **custom-designed for the Daily**. The **flooring can be easily removed**, yet remains firmly in place. The panels provide the vehicle with the best possible protection as they are **extremely resistant to humidity, chemical agents and scratches**. The flooring is manufactured from 12 mm phenolic laminate and the side panels are manufactured from 4 mm propylene with an internal honeycomb structure.



PN	DESCRIPTION
500050836	Flooring Kit 3000 Wheelbase Single Wheel
500050837	Flooring Kit 3520 Wheelbase Single Wheel
500050838	Flooring Kit 3520L Wheelbase Single Wheel
500050839	Flooring Kit 4100 Wheelbase Single Wheel
500050840	Flooring Kit 4100L Wheelbase Single Wheel
500051000	Flooring Kit 3520 Wheelbase Double Wheel
500051001	Flooring Kit 3520L Wheelbase Double Wheel
500051002	Flooring Kit 4100 Wheelbase Double Wheel
500051003	Flooring Kit 4100L Wheelbase Double Wheel

PN	DESCRIPTION
500050841	Panel Kit 3000 Wheelbase, H1
500050842	Panel Kit 3520 Wheelbase, H1
500050843	Panel Kit 3520 Wheelbase, H2, H3
500050844	Panel Kit 3520L Wheelbase, H2, H3
500050845	Panel Kit 4100 Wheelbase, H2, H3
500050846	Panel Kit 4100L Wheelbase, H2, H3

# PROFITABILITY

## AIR FLOW SYSTEM

The original airflow system consists in a wide offer of spoilers and a specific aerodynamic kit designed for the fixed sport line spoiler. All roof spoilers guarantee an **excellent aerodynamic solution** to **reduce fuel consumption** and come in both fixed and adjustable versions. A **solid** but **lightweight design** comes into play thanks to the use of structural webbing and internal ribs coupled with resin. The inserts are treated to give **excellent mechanical strength**, thanks to the use of structural frames made from **corrosion-resistant materials** and installation is fast and simple. The aerodynamic kit is tested in the wind tunnel and on road to ensure enhanced fuel savings.

PN	DESCRIPTION
500050771	Fixed Roof Spoiler Sport Line*
500051757	Aerodynamic kit - compatible with Fixed Roof Spoiler Sport Line*



\* Standard color: white



PN	DESCRIPTION
500050772	Adjustable Roof Spoiler Sport Line



PN	DESCRIPTION
500050770	Adjustable Roof Spoiler Standard Line



PN	DESCRIPTION
500051130	Fixed Spoiler Business Version With Boxes





**SUNVISOR**

The sun visor **reduces the effect of the sun's rays** and help **prevent ice forming** on the glass in the winter while keeps the cab cooler in hot temperature.

- Material: Plexiglass
- Thickness: 6 mm



PN	DESCRIPTION
500051520	Sunvisor**

\*\* Not to be mounted when the following OPT are installed:  
 14522 ACC (Adaptive Cruise Control),  
 72803 ACC+Queue Assist,  
 2912 LDWS (Lane Departure Warning System),  
 72805 LDWS + Proactive Lane Keeping Assist,  
 72806 AEBS (Advanced Emergency Braking System) + CITY BRAKE,  
 72841 Automatic wipers and headlights,  
 72839 AHBC (Automatic High Beam Control).



**DEFLECTORS**

Made in methacrylate, the deflectors **reduce the aerodynamic resistance and turbulence without affecting visibility.**

The kit is composed of two pieces.

PN	DESCRIPTION
500051521	Deflectors

# SAFETY



## PUSHBAR

The New Pushbar, granted EU certification, provides **front protection** and is able to **increase both active and passive protection** of the **vehicle and pedestrians**.

PN	DESCRIPTION
500050848	Pushbar

## SIDE PROTECTION BARS

The side protection bars, **made of stainless steel prevent damage to the side of the vehicle and chassis**. The doors can still be opened even after lateral impact.

PN	DESCRIPTION
500050852	Kit for 3000 Wheelbase
500050853	Kit for 3520 Wheelbase
500050854	Kit for 4100 Wheelbase
500050855	Additional kit for Overhang - 3520L
500050856	Additional kit for Overhang - 4100
500050857	Additional kit for Overhang - 4100L



## LIGHTBAR

The lightbar equipped with the additional lights has been **developed to increase the safety of the vehicle** allowing a **perfect vision of the road** at long distance.

PN	DESCRIPTION
500051470	Lightbar
500050665	FULL LED additional light, 565 lm, with 5" diameter; black cover/chromed surround
500050661	FULL LED additional light, 700 lm, with 7" diameter; black cover/chromed surround



**SAFELOCK**

In order to **enhance the safety of the load space trim**, IVECO Accessories proposes an **innovative lightweight lock system**:

- Extremely safe thanks to its **anti-drilling cylinder** and antipicking
- Quick and **easy to install**
- Unassailable, thanks to the round shape that offers **no handholds or lever**

PN	DESCRIPTION
500051472	Safelock

**SINGLE-PISTON DIABLOCK**

DIABLOCK® is an electromagnetic actuator shielding door which protects the load space trim.

PN	DESCRIPTION
2994944	Single-Piston Diablock®



**TOW HOOK**

The IVECO tow hooks are the same as those used in OEM applications. They are type-tested and approved, respecting the same safety standards. In the range we offer Spherical, Automatic and Mixed hooks. Check with the dealer the right one for your vehicle according to type, version, wheelbase and OPT.

**FUEL CAPS & ANTI-THEFT SYSTEM**

Tested by IVECO for the New Daily, the fuel anti-theft systems provide the following advantages:

- **Prevents fuel theft**
- **Quick refuelling** at 120 l/min
- **Easy and fast installation**

PN	DESCRIPTION
500051030	Fuel Anti-Theft System
2993927	Fuel cap with key



# SAFETY



## EMERGENCY AND FIRST AID KIT

### Kit includes:

- Black clutch bag with IVECO screen printing
- Hi-vis vest
- Compact Euro micro triangle
- Torch with 19 white high-brightness LEDs, with non-slip grip and 3 batteries included
- First aid kit certified DIN 13164
- Bulb and fuse set

PN	DESCRIPTION
500050777	Emergency and First Aid Kit

## FIRE PREVENTION

### MANUAL FLAME INHIBITOR

Aerosol flame inhibitor; compact and easy to use.

Battery operated, with an LED signalling the state of charge.

- Dimensions: diameter 3 cm length 34 cm
- Total weight: 250 g
- Fire class: A,B,C
- Electric activation
- 1.5 V alkaline battery
- International patent

PN	DESCRIPTION
500050745	Eolo - Fire Prevention



## VODAFONE AUTOMOTIVE VOLUMETRIC ALARM

The system protects the engine compartment, cab and storage compartment.

### General characteristics:

- Central locking
- Built-in volumetric ultrasound sensors
- GSM alarm with engine lock-up
- SMS transmission with up to 10 numbers in case of alarm
- Mobile alert call
- Perimeter protection
- Ignition lock-up protection
- Indicators flash with alarm engage/disengage
- Self-powered wireless siren

PN	DESCRIPTION
500051515	Vodafone Automotive Volumetric Alarm



## TYRE REPAIR AND INFLATION SYSTEM

### The complete kit includes:

- 15 Amp compressor able to inflate tyres to high pressures quickly
- 8 m long electric cables with calliper connectors for direct battery pole connection
- 620 ml bottle of sealant fluid, able to repair holes caused by objects of up to 8 mm in diameter on tubeless tyres

The special kit configuration does not require valve disassembly.

PN	DESCRIPTION
500050780	Tyre Repair and Inflation System
500051881	Refill bottle for PN 500050780



**TOOL BOXES**

Perfect for outfitting any type of vehicle thanks to the wide range of accessories and customisations available.

PN	DESCRIPTION
500050200	Matt Stainless Steel Case 500x350x400 mm
500050577	Thermoplastic Case 400x350x400 mm
500050210	Rear Cab Wall Storage Box in White painted Stainless Steel / 500x1200x1870 mm



**TYRE PRESSURE MONITORING SYSTEM**

The tyre pressure monitoring system keeps **always under control** the **temperature** and the **pressure** status of the tyres. **Two different versions are available:**



**TPMS LIGHT TRUCK**

**The kit contains:**

- 4 Valve-cap sensors
- 4 Dustproof cover
- 1 Display: L42\*W88\*H14 mm

**Characteristics:**

- Pressure range: 0-5.2 Bar / 0-75 PSI
- Visual and audible warning
- Self testing for each power on
- Intelligent sleeping mode for power saving

**TPMS COMPATIBLE WITH A/V INPUT**

This TPMS is compatible with the multimedia system (PN 500051523, PN 500051524, PN 500051525)

**The kit contains:**

- 4 Valve-cap sensors
- 4 Dustproof cover
- 1 EDC Unit

**Characteristics:**

- Pressure range: 0-4.5 Bar / 0-65 PSI
- One-press button to on/off the system on the A/V monitor
- Visual and audible warning
- Self testing for each power on



PN	DESCRIPTION
500051505	TPMS Light Truck
500051506	TPMS compatible with A/V input
500051507	Kit of 2 additional valve cap sensors

# HI-TECH



## IVECO DAB "PLUS" RADIO

- Removable face plate with LCD display
- Front SD card and USB port
- Bluetooth®
- CD/MP3/WMA player
- 4 channels x 40 W MAX

PN	DESCRIPTION
500050803	IVECO DAB "Plus" Radio
500051529	IVECO DAB "Plus" Radio with steering wheel controls



## IVECO DIGITAL RADIO

- Removable face plate with LCD DOT matrix white illumination display and integrated Bluetooth®/Audio streaming
- Electronic anti-shock
- DSP Sound effects equaliser (Classic-Rock-Pop-Flat)
- 18 station storage in FM and 12 in AM
- FM-AM-RDS-PLL EON radio
- 1 SD Card slot Max 8 GB
- 1 front USB port Max 8 GB

PN	DESCRIPTION
500050806	IVECO Digital Radio



## BLAUPUNKT TORONTO 440 BT

- Comparable CD player with CD-DA, CD-R, CD-RW support
- 2 Front USB, SD and Aux-in input
- Integrated Bluetooth®, Audio streaming and Phone book access
- FM/AM World Tuner RDS radio, stores up to 25 radio stations
- WMA and MP3 player with function ID3-Tag (shows files and folders)
- Compatible with Ipad, Iphone and Android
- Power 4 x 50W

PN	DESCRIPTION
500051866	Blaupunkt Toronto 440 BT Radio

**PORTABLE NAVIGATOR TRAVEL PILOT 7" LMU EU**

7" high resolution (800x480 pixels) touchscreen, complete TomTom™ Europe map, includes Russia and Turkey.

- Size 188x114x12 mm
- 2D/3D Visualisation
- Speed assistance and Autovelox alert
- Real View and lane assist
- 24-month warranty from purchase date of end user

Package contains: vehicle battery charger; window mount, mini-USB cable, 2.5 audio video jack cable for rear view camera input, instruction manual, 9 character display with adjustable brightness, removable face plate.



PN	DESCRIPTION
500051516	Portable Navigator Travel Pilot 7" LMU EU



**PORTABLE NAVIGATOR TRAVEL PILOT 7" TRUCK LMU EU**

- 7" high-resolution touch screen
- Dimensions: 188x114x12 mm
- TomTom Europe maps for 43 countries, including Russia
- Bluetooth® Handsfree with simultaneous navigation and calls
- Automatic audio/video input for rear view camera
- Audio output
- Integrated eco-traffic light system
- Dedicated truck software: by setting dimensions such as the weight of the vehicle and the type of material to be transported, it will calculate the best route possible, taking into consideration the width of roads, height of tunnels and bridge weight limits for heavy vehicles
- 24 month warranty from date of purchase by end user

PN	DESCRIPTION
500051519	Portable Navigator Travel Pilot 7" Truck LMU EU

# HI-TECH

## PROFESSIONAL SAFETY SYSTEMS

The high quality reversing safety systems provide a greater range of vision when performing manoeuvres. Each product is designed to provide maximum reliability during standard and heavy-duty use. Three kits are available with TFT LCD colour monitors, together with either one or two waterproof cameras.



### Complete rear vision kit includes:

- Built-in professional camera CM-12 waterproof IP67 with 170° wide angle FOV (PN 500050729)
- TFT LCD 4.3" colour monitor, format 16:9, 12/24 V (PN 500050732)
- 9 m cable

PN	DESCRIPTION
500050731	Rear vision kit

### Complete rear vision kit includes:

- Built-in professional camera CM-12 waterproof IP67 (PN 500050729) with 170° wide angle FOV
- Colour monitor CM-562 TFT LCD 5.6" (PN 500050733)
- 9 m cable

PN	DESCRIPTION
500050727	Rear vision kit



### Complete rear vision kit includes:

- Built-in professional camera CM-12 waterproof IP67 with 170° wide angle FOV (PN 500050729)
- Colour monitor CM-562 TFT LCD 5.6" (PN 500050733)
- Colour micro camera CM-45 with prism lenses to allow vision of the front left and right bands with 30° angle FOV (PN 500050716)
- 9 m cable

PN	DESCRIPTION
500050728	Rear vision kit







**WI-FI REAR CAMERA**

Tailor-made camera to control rear during reverse gear using Smartphone or Tablet Android /iOS as a monitor through the "IVECO Cam" app.

**General characteristics:**

- Videos automatically registered
- Possibility to review registrations from DvR Rear view camera
- When using the Wi-Fi camera, all 3G functions remain active
- A timer keeps the Wi-Fi camera connection active for 60 minutes after vehicle switched off

PN	DESCRIPTION
500051579	Wi-Fi rear camera for Van - to be ordered separately PN 5801557593 (third "spare" stop with rear view camera)
500051580	Wi-Fi rear camera for Cab

**PARKING SENSORS**

In order to reinforce the safety, IVECO Accessories proposes anterior and posterior parking sensors for easy manoeuvring and parking. They prevent shocks that can cause unwanted damages to the vehicle. Two ranges are available.



**REAR PARKING SENSORS BASE KIT WITH BUZZER 12V**

- Installation hole: 19 mm
- Sensors depth: 15 mm

**The kit includes:**

- 4 paintable front sensors
- Speaker audio-warning in 4 steps
- Cable with connectors to allow an easy installation
- Drill for rear bumper hole

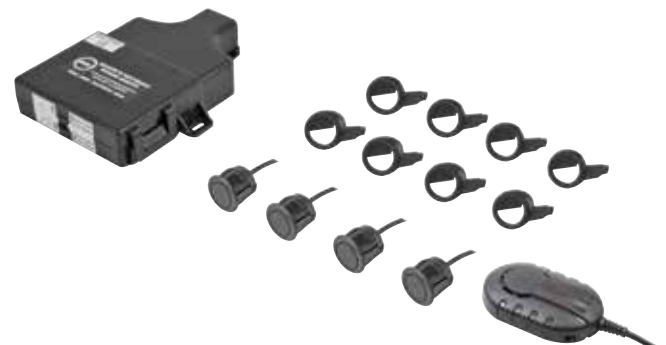
PN	DESCRIPTION
5802234765	Rear Parking Sensors base kit

**PARKING SENSORS FOR FLUSH FITTING 12/24 V**

- Installation hole: 18-22 mm
- Sensors Adjustable depth: 17 mm

**The kit includes:**

- 4 sensors
- 4 Inclined adapters 12°
- 4 Flat adapter
- 4 boxes sensor
- 4 extensions sensor
- 4 biadhesive
- Control box unit, dimensions: 98x72x25 mm
- Sensor cable: 4.5+4.5 m
- Drill for rear bumper hole



PN	DESCRIPTION
500051501	Front Parking Sensors for flush fitting
500051502	Rear Parking Sensors for flush fitting
500051504	LED Display with 10.5 m cable

# CONNECTIVITY



## ANDROID-BASED MULTIMEDIA SYSTEM

The "FULL VISION" multimedia system comes complete with navigation system and rear camera, providing a complete multimedia, navigation & reversing safety solution.

### Main characteristics:

- HD 8" IPS capacitive Display - anti-glare
- Octacor processor
- Android 8.0
- Pre-loaded APP: Music / Video / Aux in / A2DP / Wi-Fi Rear view camera Daily (IVECO Up iveco-business APP), YouTube, Netflix, GoogleMap, Easy Connection for Android and iOS SmartPhones
- iPhone ready
- 2 USB for audio video files
- Bluetooth® 4.1
- 16 GB Hard Disk
- DVR

- WiFi
- IVECO and Camper points of interest
- Radio with Double Tuner RDS and tuner
- Integrated DAB + tuner
- Mask included
- Cables for resetting microphone and antenna
- Steering wheel control (500051526)/OPT: 78319

PN	DESCRIPTION
500051523	Android-based Multimedia System

### Kit Full Vision for Van:

- Multimedia system (PN 500051523)
- Professional camera (PN 500051525)

PN	DESCRIPTION
500051528	Android-based Multimedia System for Van with iGo Truck navigation software, TomTom™ European map



### Kit Full Vision for Cab:

- Multimedia system (PN 500051523)
- Professional camera (PN 500051524)

PN	DESCRIPTION
500051527	Android-based Multimedia System for Cab with iGo Truck navigation software, TomTom™ European map



**SMARTPHONE CRADLE**

Smartphone Cradle with integrated Qi technology for a rapid recharge comparing to the classic 5 V charger.

PN	DESCRIPTION
500051756	Qi Smartphone Cradle

**General characteristics:**

- Tailor-made dashboard bracket
- Power supply kit with plug & play wiring with TYCO connector
- Voltage reducer from 12V to 5V
- Working temperature - 25 + 85°.
- Max. Consumption at Fast Charge: 16 mAh at 12V
- Certification of Qi Electromagnetic compliance
- TUV e Red-CE Certification

**DASHBOARD ANDROID SYSTEM WITH NAVIGATION**

The Smart Driving Auxiliary System is an all in one product:

- Capacity touch screen with an 8" High resolution digital monitor
- GPS Navigation system with three different ways to navigate: map, real-time navigation or both
- Speed radar Warning
- DVR with high resolution camera to record in case of collision
- Driving Track Playback
- BT Phone/BT Music
- Full Europe Map Navigation

PN	DESCRIPTION
500051508	Dashboard Android System With Navigation
500051512	Rear Camera for Dashboard Android System



**GPS LOCATOR MARIO**

The GPS locator Mario is a next-generation satellite protection system. It allows you to locate the vehicle through an App, displaying the position directly from the phone or computer screen.

**Specifications:**

- Internet location: allows to check the routes taken, ability to report the kilometers traveled, fuel consumed, the speed limits exceeded and to control the stopping and driving times.
- SAT Alarm: in case of theft, a message will be sent with the geographical location.



PN	DESCRIPTION
500051469	GPS locator Mario

# COMFORT

## SEAT COVERS

The line of seat covers for the New IVECO Daily are designed to meet all needs and have a working environment tailored to your personal needs.

### BLUE INSTINCT LINE

Original blue and black breathable microfibre fabric, customised with the IVECO logo.

PN	DESCRIPTION
500051473	DRIVER'S SEAT standard
500051474	DRIVER'S SEAT with armrest aperture and backrest adjustment knob aperture
500051475	TWIN SEAT standard
500051476	TWIN SEAT with central safety belts
500051477	TWIN SEAT with central safety belts and tray
500051478	4 PASSENGER SEAT
500051485	HEADREST



### BLACK ECO LINE

Faux leather fabric customised with the IVECO logo.

PN	DESCRIPTION
500051486	DRIVER'S SEAT standard
500051487	DRIVER'S SEAT with armrest aperture and backrest adjustment knob aperture
500051488	TWIN SEAT standard
500051489	TWIN SEAT with central safety belts
500051490	TWIN SEAT with central safety belts and tray
500051491	4 PASSENGER SEAT
500051498	HEADREST



**PREMIUM BLUE LINE**

Original breathable microfibre fabric, customised with the IVECO logo and blue inserts.

PN	DESCRIPTION
500050880	DRIVER'S SEAT standard
500050881	DRIVER'S SEAT with armrest aperture and backrest adjustment knob aperture
500050882	TWIN SEAT standard
500050883	TWIN SEAT with central safety belts
500050884	TWIN SEAT with central safety belts and tray
500050885	4 PASSENGER SEAT



**PREMIUM RED LINE**

Original breathable microfibre fabric, customised with the IVECO logo and red inserts.

PN	DESCRIPTION
500050886	DRIVER'S SEAT standard
500050887	DRIVER'S SEAT with armrest aperture and backrest adjustment knob aperture
500050888	TWIN SEAT standard
500050889	TWIN SEAT with central safety belts
500050890	TWIN SEAT with central safety belts and tray
500050891	4 PASSENGER SEAT



**PREMIUM SILVER LINE**

Techno Silk fabric, customised with the IVECO logo.

PN	DESCRIPTION
500050892	DRIVER'S SEAT standard
500050893	DRIVER'S SEAT with armrest aperture and backrest adjustment knob aperture
500050894	TWIN SEAT standard
500050895	TWIN SEAT with central safety belts
500050896	TWIN SEAT with central safety belts and tray
500050897	4 PASSENGER SEAT



**CONSTRUCTION LINE**

Special line for the most demanding missions. Black and grey faux leather trim, tough and easy to clean.

PN	DESCRIPTION
500050898	DRIVER'S SEAT standard
500050899	DRIVER'S SEAT with armrest aperture and backrest adjustment knob aperture
500050900	TWIN SEAT standard
500050901	TWIN SEAT with central safety belts
500050902	TWIN SEAT with central safety belts and tray
500050903	4 PASSENGER SEAT



**TRANSPORTER LINE**

Special line for the world of logistics. Sand colour microfibre, tough and extremely breathable with faux leather inserts and woven IVECO logo.

PN	DESCRIPTION
500050904	DRIVER'S SEAT standard
500050905	DRIVER'S SEAT with armrest aperture and backrest adjustment knob aperture
500050906	TWIN SEAT standard
500050907	TWIN SEAT with central safety belts
500050908	TWIN SEAT with central safety belts and tray
500050909	4 PASSENGER SEAT



# COMFORT



## FABRIC MATS

Developed to match the seat cover range, they are customisable with a woven IVECO logo and coloured edges. Double-fixing system guarantees they stay in place to avoid potentially hazardous situations.

PN	DESCRIPTION
500036284	Premium Red
500036285	Premium Blue
500050698	Premium Silver
500051499	Premium Black

## RUBBER MAT

For protecting the cab interior. Acid resistant, washable and resistant to changing shape. With a raised edge to prevent dirt spillage.

PN	DESCRIPTION
500025827	Rubber Mat



## VALETING KIT

Bio-compatible detergents for cleaning your vehicle. Professional line, technological formulation.

### 4 Product kit:

- Shining Glass 250 ml to clean windows
- Perfect Interior 250 ml to clean dashboard, steering wheel and mats
- Clean Air 250 ml to sanitise air
- Shining Body 250 ml to protect the bodywork

PN	DESCRIPTION
500050618	Valeting Kit



**TUNING KIT IN STAINLESS STEEL**

To customise the New Daily with precious details that highlight its character and style.

**The kit contains:**

- Mirror inlay: set of 2 pieces
- Door handle covers: set of 4 pieces

PN	DESCRIPTION
500051759	Tuning Kit

**AIR CONDITIONING**

The use of air conditioning is no longer limited to the summer months, but is also useful in the winter for rapid vehicle windscreen demisting to guarantee perfect visibility.

PN	DESCRIPTION
500050920	Air conditioning Van or Cab 2.3 cc
500050921	Air conditioning Van or Cab 3.0 cc



**IVECO** | Accessories



**IVECO**

Your partner for sustainable transport